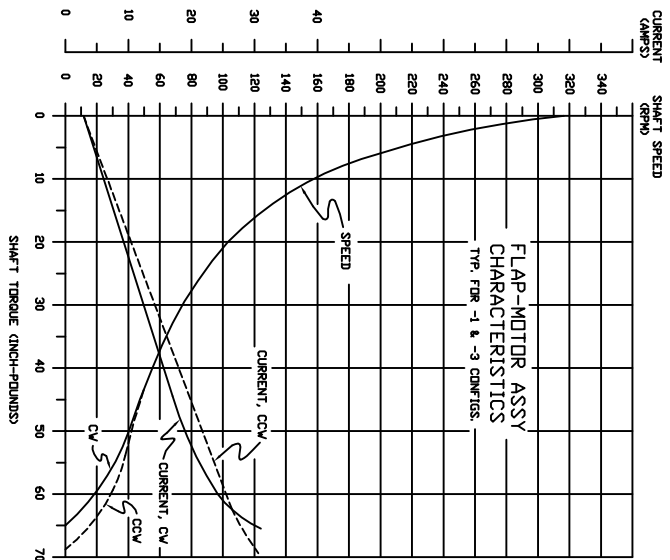
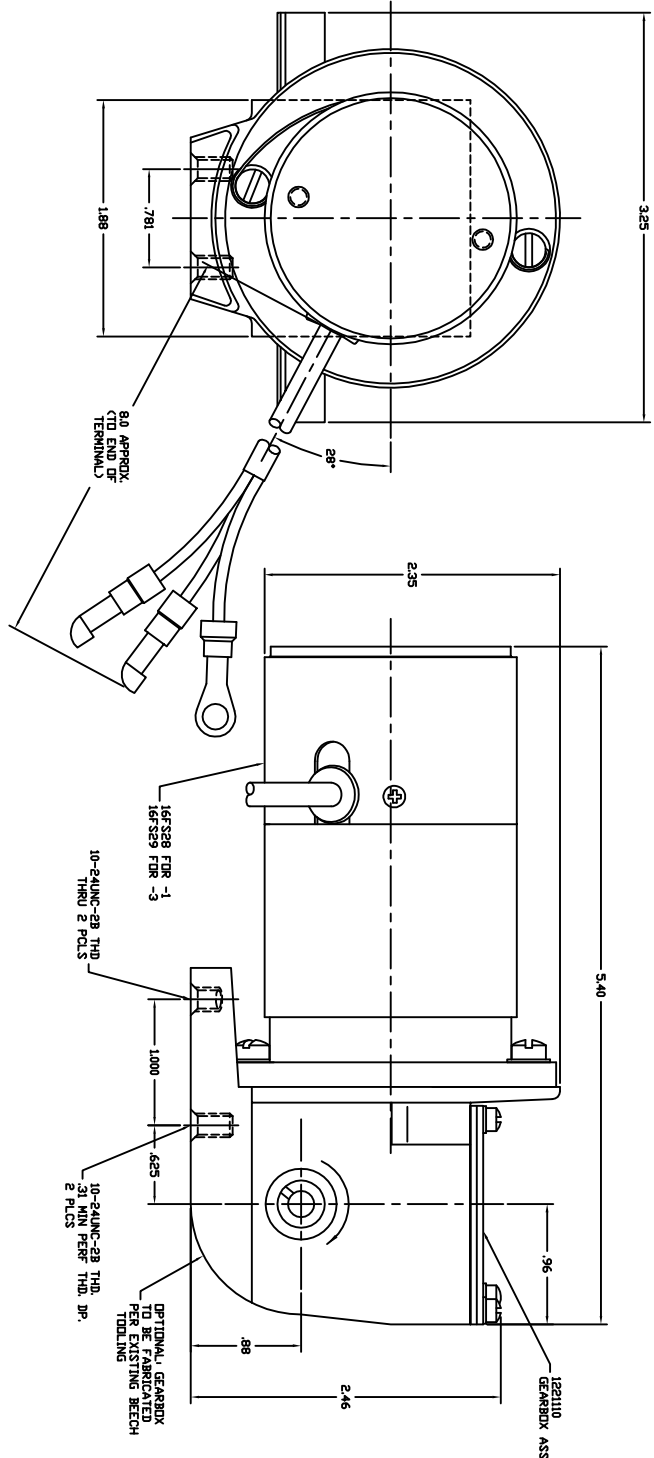


NOTICE
 This drawing is a part of the proprietary article design, and is not to be reproduced, stored in a retrieval system, or transmitted in any form or by any means, electronic, mechanical, photocopying, recording, or by any information storage and retrieval system, without the prior written permission of the manufacturer. This drawing is the property of the manufacturer and is not to be reproduced, stored in a retrieval system, or transmitted in any form or by any means, electronic, mechanical, photocopying, recording, or by any information storage and retrieval system, without the prior written permission of the manufacturer.

WIRE COLOR CODE	ROTATION	NOMINAL VOLTAGE	NO LOAD CURRENT AMPS	NO LOAD SPEED R.P.M.	AT 30 IN-LB TORQUE CURRENT AMPS	AT 30 IN-LB TORQUE SPEED R.P.M.	AT 60 IN-LB TORQUE (STALL TORQUE) CURRENT (AMPS)	WIRE END TERMINAL
GREEN	C.V.	+14	4 MAX	300 MIN	15 MAX	70 MIN	35 MAX	32418 (AMP)
WHITE	C.C.V.	+14	4 MAX	300 MIN	15 MAX	70 MIN	35 MAX	32418 (AMP)
BLACK (GRND)		-14						1MS2036-8 (31903 AMP)



- NOTES CONT'D.**
- ACTUATOR MEETS OR EXCEEDS ALL RELIABILITY, MANUFACTURING, & MATERIAL REQUIREMENTS AS SPECIFIED BY SPECIFICATION CONTROL DWG.
 - WIRE LEADS 14 AVG.
 - DUTY CYCLE: 84 SEC ON AT 30 IN-LB CV, THEN 50 SEC ON AT 5 IN-LB CCV, OFF FOR 30 MIN.

REV	DATE	DESCRIPTION	BY	CHKD
1	5-9-69	RELABELLED TAB BLOCK, ADDED INFO FOR 'NO LOAD SPEED'		
2				

REV	DATE	DESCRIPTION
1	5-9-69	RELABELLED TAB BLOCK, ADDED INFO FOR 'NO LOAD SPEED'
2		

REV	DATE	DESCRIPTION	BY	CHKD
1	5-9-69	RELABELLED TAB BLOCK, ADDED INFO FOR 'NO LOAD SPEED'		
2				